

Project Name: _____
 Location: _____
 Engineer: _____
 Submitted to: _____
 Submitted by: _____
 Reference: _____

Approval: _____
 Date: _____
 Construction: _____
 Unit #: _____
 Drawing #: _____

Performance

Indoor Unit Model No: Mixed
 Outdoor Unit Model No: RXYMQ36PVJU
 Cooling Capacity (Btu/hr): 36000
 Sensible Capacity (Btu/hr): 0
 Cooling Input Power (kW): _____
 Cooling EER (Btu/hr / kW): 10.7
 SEER: 14.5
 Heating Capacity (Btu/hr): 42000
 Heating Input Power (kW): _____
 Heating COP (Btu/hr / Btu/hr): 2.9
 HSPF: 8.2

Indoor Unit Type: _____
 Condensing Unit Type: VRV-III-S Heat Pump
 Cooling Nominal Conditions: Indoor: 80°F DB/67°F WB
 Outdoor: 95°F DB/75°F WB
 Water Cooled: 85
 Heating Nominal Conditions: Indoor: 47°F DB/43°F WB
 Outdoor: 47°F DB/43°F WB
 Water Cooled: 70
 Nominal Piping Length: 25
 Nominal Height Separation: 0
 Nominal Water Flow Rate: _____

Indoor Unit Details

Power Supply (V/Hz/Ph): N/A
 Power Supply Connections: _____
 Min. Circuit Amps MCA (A): _____
 Max. Fusible Amps MFA (A): _____
 Dimensions (HxWxD): N/A
 Panel (HxWxD): N/A
 Net Weight (lbs): _____
 Weight with Panel (lbs): _____

Airflow Rate (CFM wet coil): N/A
 Moisture Removal (pt/h): _____
 Gas Pipe Connection (inch): _____
 Liquid Pipe Connection (inch): _____
 Condensate Connection (inch): _____
 Sound Pressure Level (dBA): _____
 Sound Power Level (dBA): _____
 Nominal External Static Pressure (inH2O): _____
 Max Ext Static Pressure (inH2O): _____

Condensing Unit Details

Power Supply (V/Hz/Ph): 208-230/60/1ph
 Power Supply Connections: L1, L2, Ground
 Min. Circuit Amps MCA (A): 27
 Max. Fusible Amps MFA (A): 30
 Max. Starting Current MSC(A): -
 Rated Load Amps RLA (A): 17.6
 Total Overcurrent Amps (A): 27
 Dimensions (HxWxD): 52-15/16x35-7/16x12-5/8
 Net Weight (lbs): 283
 Compressor Type: Inverter
 Capacity Control Range (%): 29 - 100
 Capacity Index Limit: 18 - 46.8 (130%)

Airflow Rate (CFM): 3740
 Gas Pipe Connection (inch): 5/8
 Liquid Pipe Connection (inch): 3/8
 H/L Pressure Connection (inch): _____
 H/L Equalizing Connection (inch): _____
 Water Inlet Connection (inch FPT): _____
 Water Outlet Connection (inch FPT): _____
 Condensate Drain Outlet (inch FPS): _____
 Sound Pressure Level (dBA): 58
 Sound Power Level (dBA): 70.1c / 57.1h
 Unit Heat Rejection (kW): _____
 Max. No. of Indoor Units: 6

System Details

Refrigerant Type: R-410A
 Holding Refrigerant Charge (lbs): 8.8
 Additional Charge (oz/ft): install data
 Pre-charge Piping (Length ft): -
 Max. Pipe Length (Total ft): 492 ft
 Max. Pipe Length (Vertical ft): 164 ft / 130 ft

Cooling Operation Range (°F): 23 - 115
 Cooling Range w/Baffle (°F): _____
 Heating Operation Range (°F): 0 - 77 / -4 - 60
 Heating Range w/Baffle (°F): _____
 Cooling Inlet Water Temp (°F): _____
 Heating Inlet Water Temp (°F): _____
 Water Flow Range (GPM): _____

Submittal Data Sheet

Project Name: _____
Location: _____
Engineer: _____
Submitted to: _____
Submitted by: _____
Reference: _____

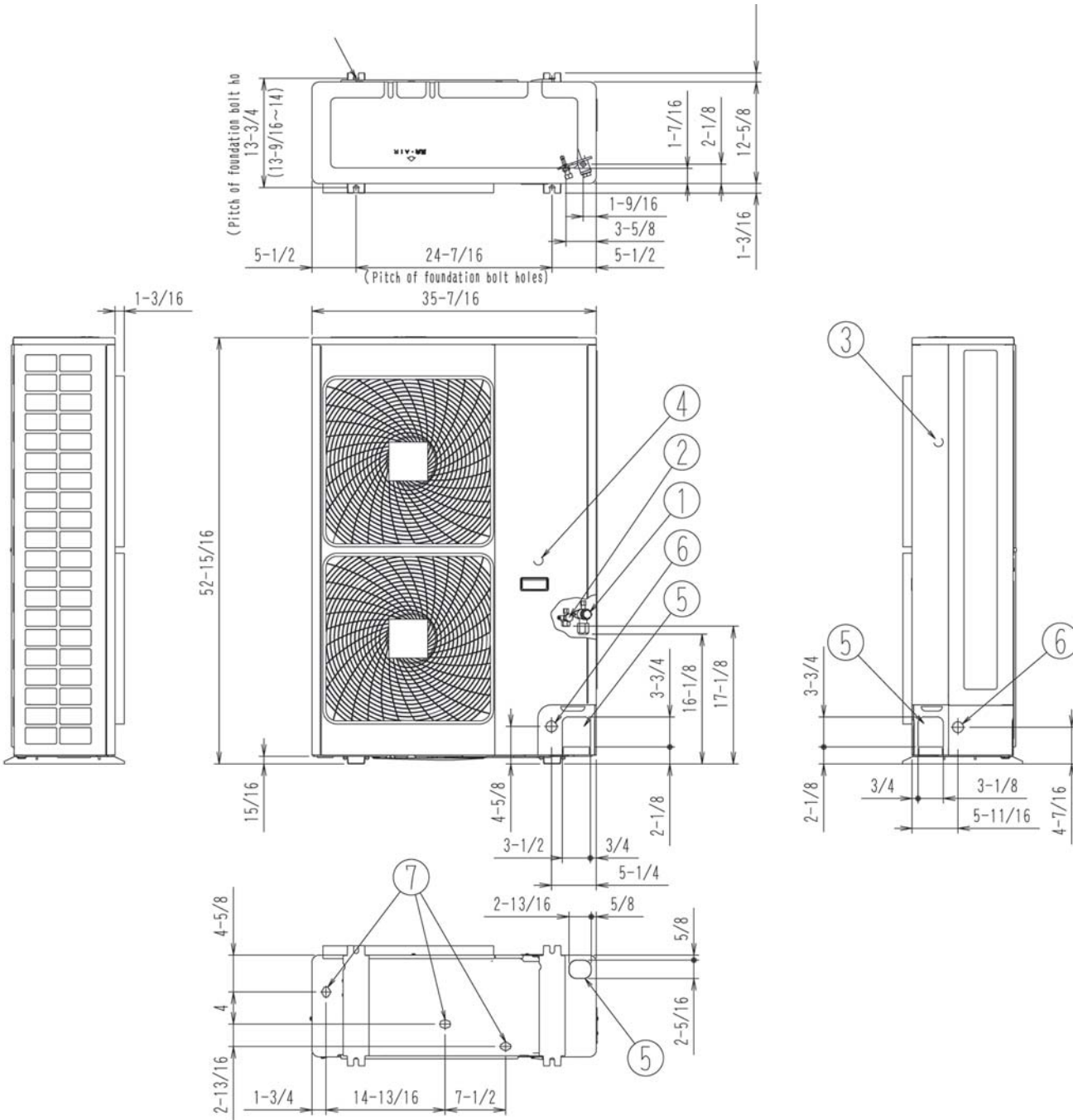
Approval: _____
Date: _____
Construction: _____
Unit #: _____
Drawing #: _____



Project Name: _____
 Location: _____
 Engineer: _____
 Submitted to: _____
 Submitted by: _____
 Reference: _____

Approval: _____
 Date: _____
 Construction: _____
 Unit #: _____
 Drawing #: _____

Dimensional Drawing - Condensing Unit



Project Name: _____
Location: _____
Engineer: _____
Submitted to: _____
Submitted by: _____
Reference: _____

Approval: _____
Date: _____
Construction: _____
Unit #: _____
Drawing #: _____

Notes

Std U.S. Warranty: 6yrs Compressor, 1yrs Parts, 1yr Limited Labor